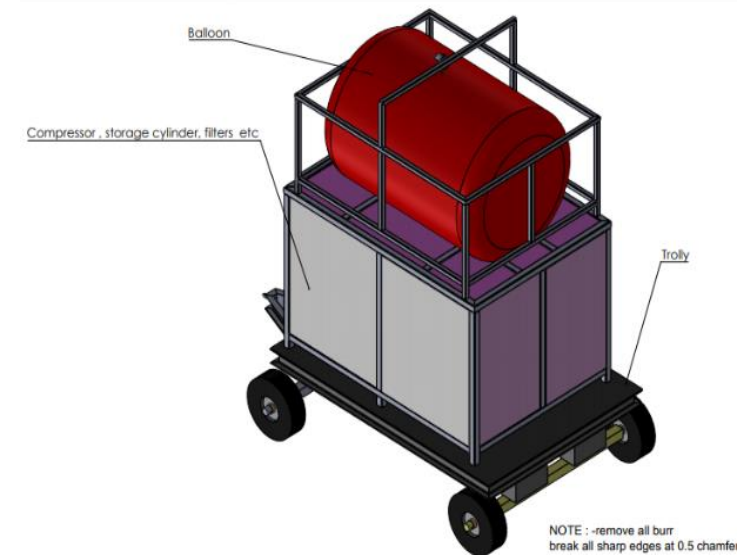
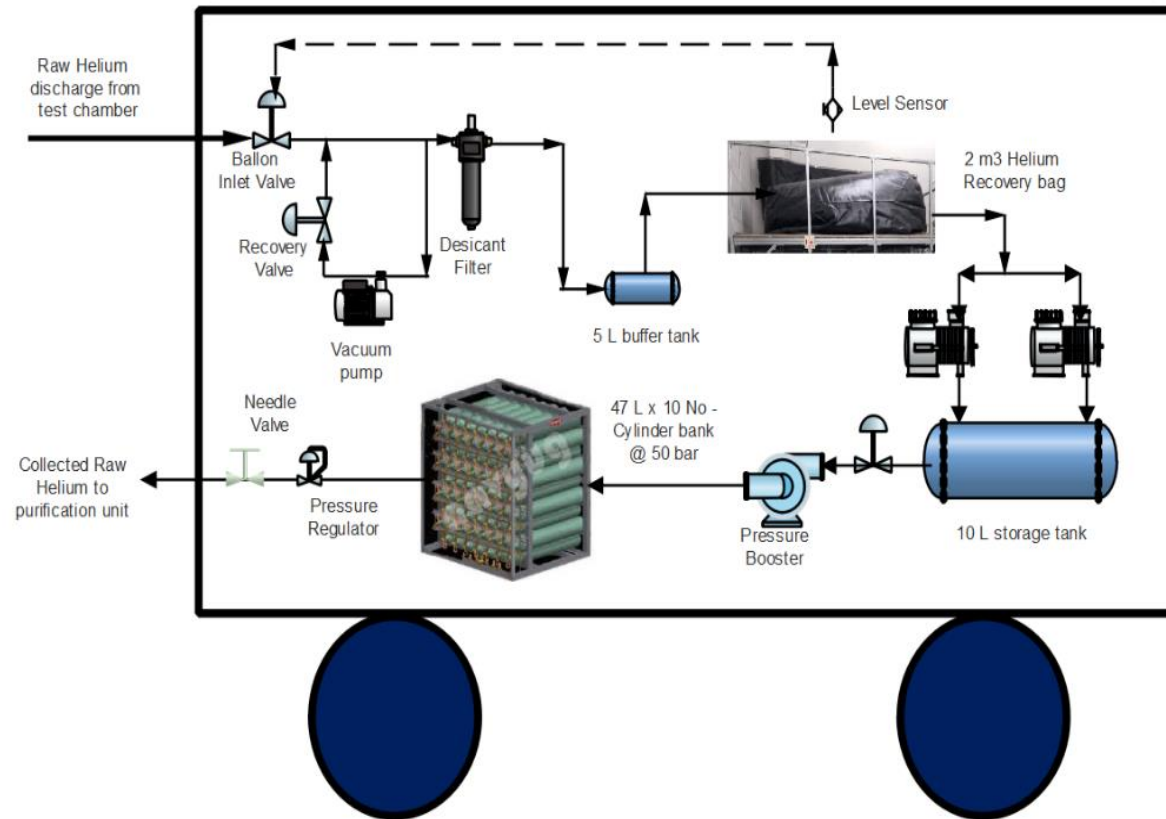
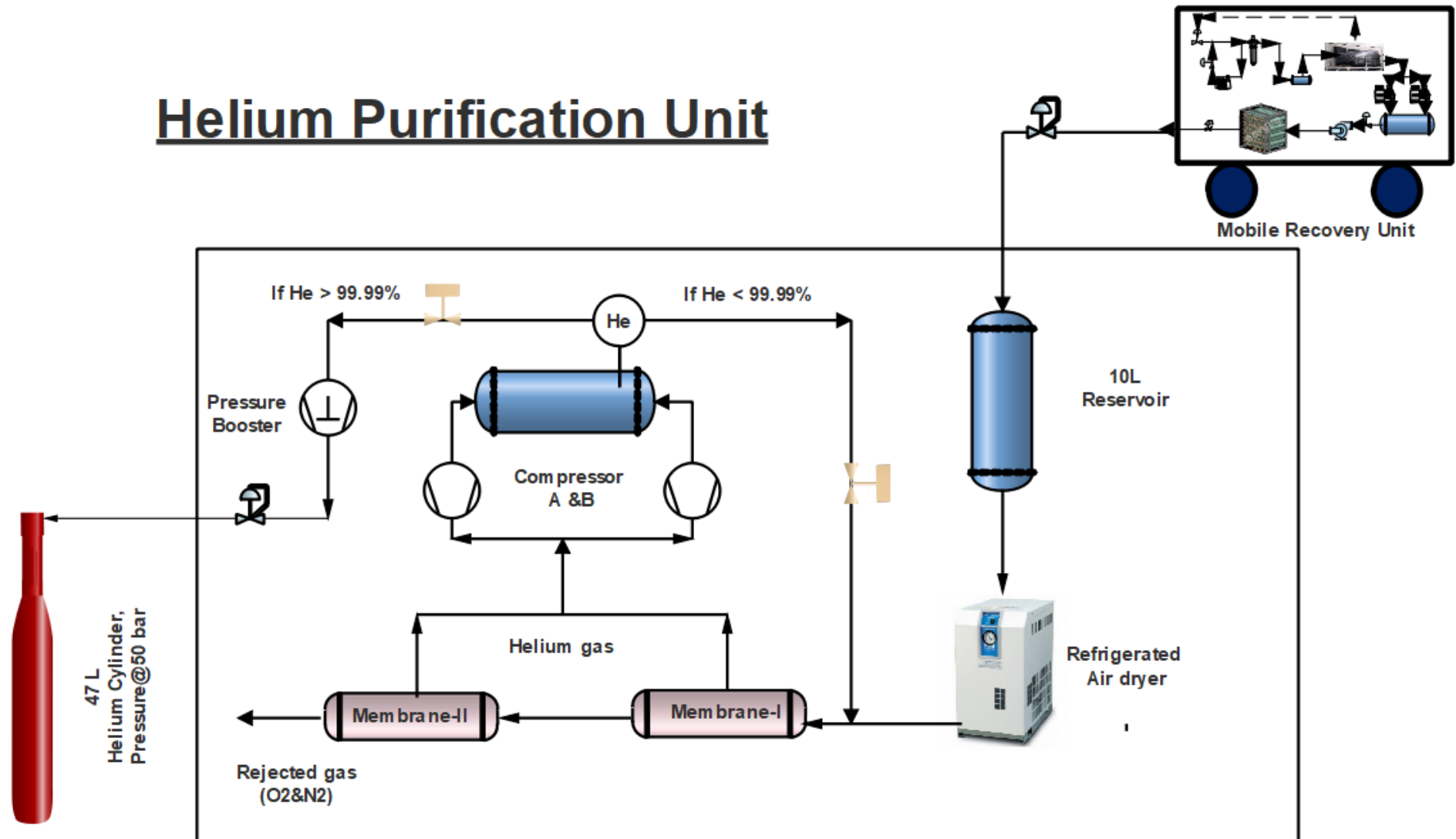


Annexure -A

i. Process Flow Diagram of Helium Recovery System (Tentative)

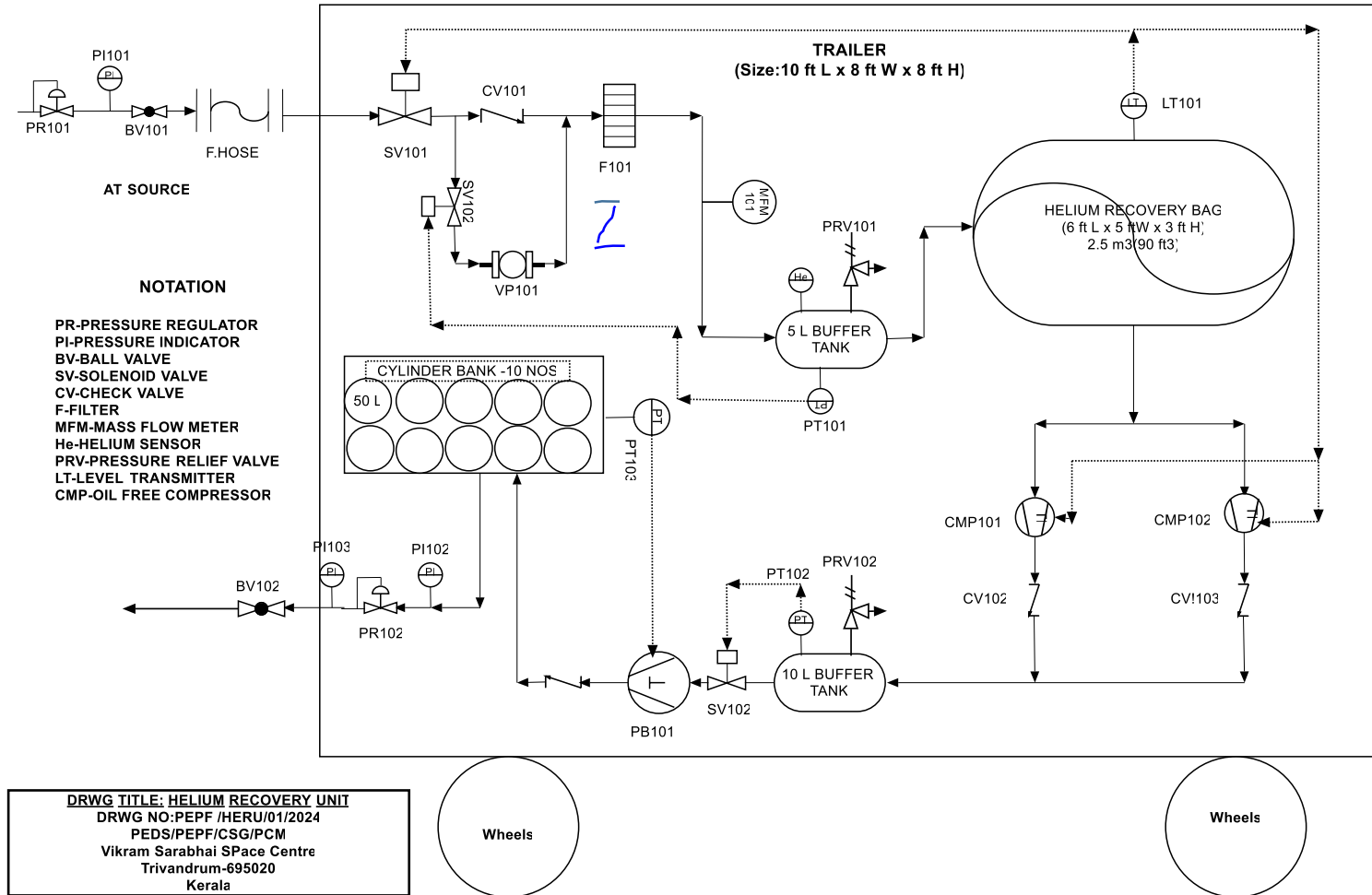


ii. Process Flow Diagram of Helium Purification System (Tentative)

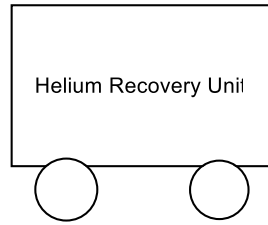


I. P&ID Helium Recovery System (Tentative)

PROVISIONAL P&ID-HELIUM RECOVERY UNIT



II. P&ID Helium Purifications System (Tentative)



NOTATION

- PR-PRESSURE REGULATOR
- PI-PRESSURE INDICATOR
- PT-PRESSURE TRANSDUCER
- RAD-REFRIGERATED AIR DRYER
- M1&M2-MEMBRANES
- BV-BALL VALVE
- SV-SOLENOID VALVE
- NOSV-NORMALLY OPEN SOLENOID VALVE
- NCSV-NORMALLY CLOSED SOLENOID VALVE
- CV-CHECK VALVE
- F-FILTER
- MFM-MASS FLOW METER
- He-HELIUM SENSOR
- PRV-PRESSURE RELIEF VALVE
- LT-LEVEL TRANSMITTER
- CMP-OIL FREE COMPRESSOR

DRWG TITLE: HELIUM PURIFICATION UNIT
 DRWG NO:PEPF /HEPU/R1/2024
 PEDS/PEPF/CSG/PCM
 Vikram Sarabhai SSpace Centre
 Trivandrum-695020
 Kerala

